

# Installation guide



Dear Customer,

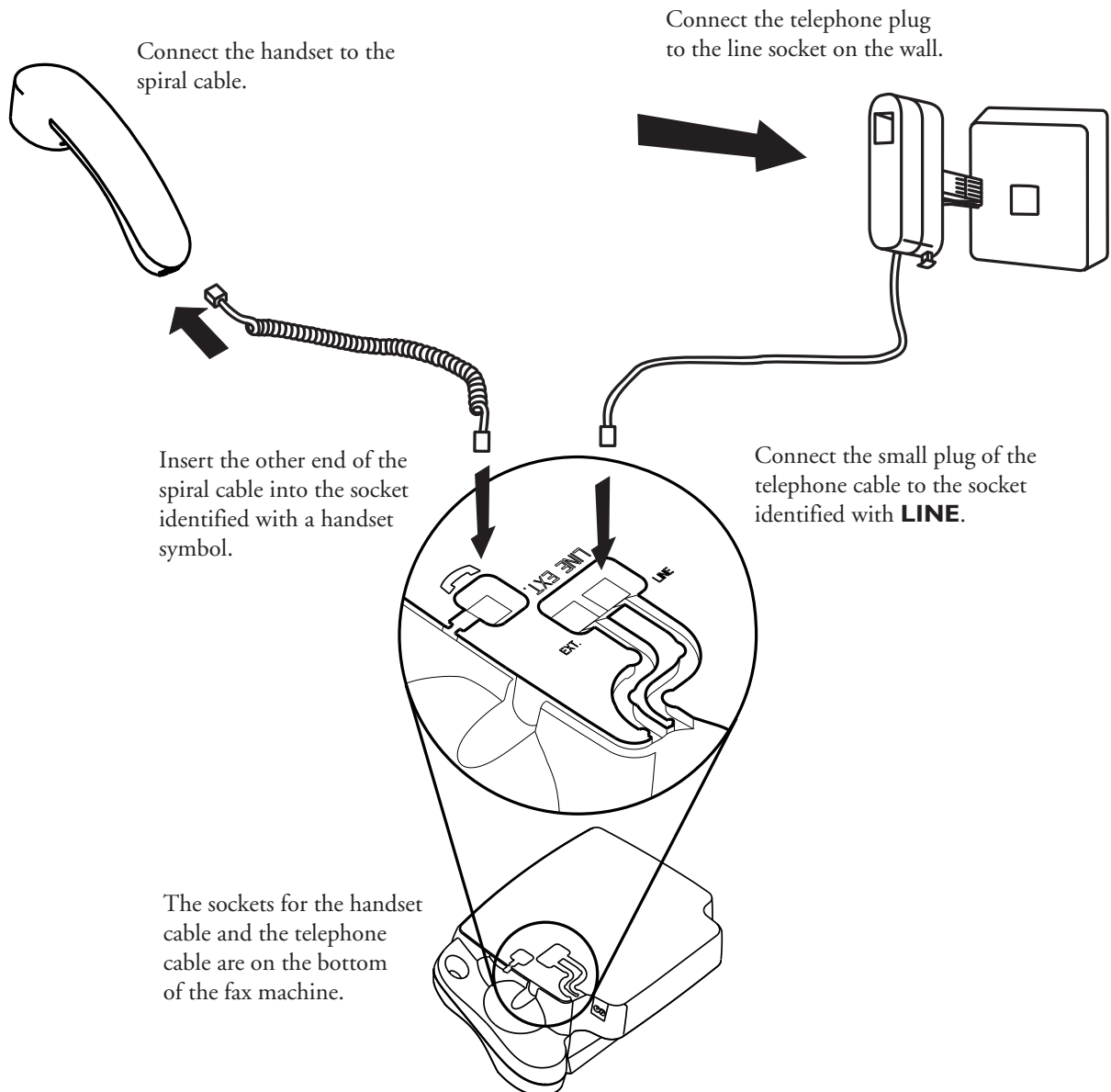
With the help of this guide you can install your fax machine quickly and easily. After you have finished the installation press the **HELP/INSTALL** key for two seconds. Your machine will then guide you through the main settings as well as the adjustment to your telephone line.

## Telephone handset

To connect the handset, turn your machine upside down. Connect the handset with the spiral cable to the fax machine.

## Telephone connection

The socket for the telephone cable is on the bottom of the fax machine. The small plug of the telephone cable has to be connected to your fax machine, the big plug to the line socket on the wall.



*Let's make things better.*

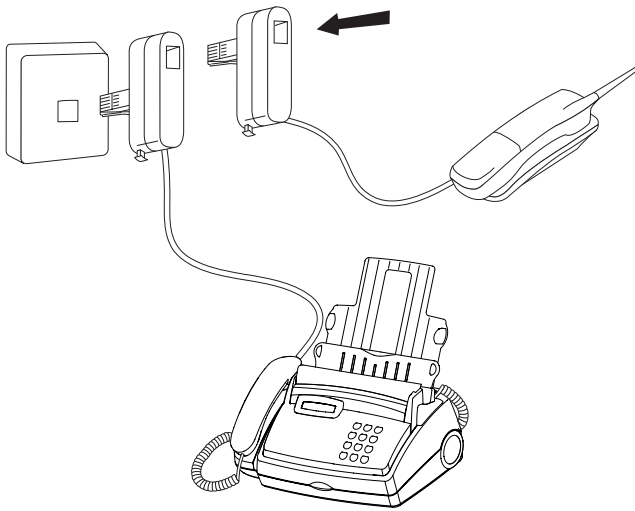


**PHILIPS**

# Additional devices

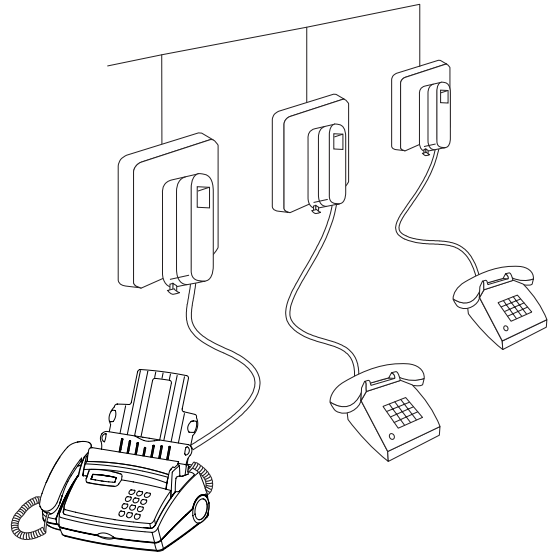
You can connect additional devices (telephones, cordless telephones, answering device, PC modem) to your telephone line.

## To the same socket



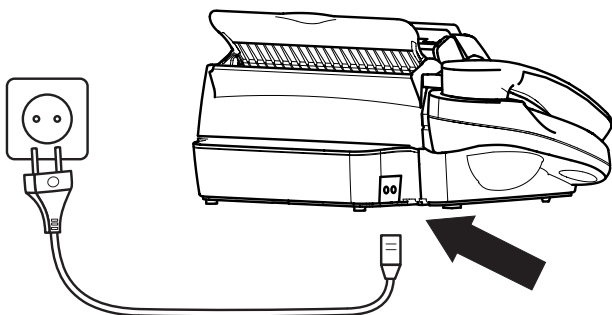
You can connect additional devices (e.g. telephones or cordless phones) to the same telephone socket. If connected in this way, your fax machine functions ideally together with additional devices.

## To separate sockets



You can also connect additional devices to separate sockets on the same line, even if they are in different rooms. Make sure that the fax machine is the first device connected. If connected in this way, your fax machine cannot fully control the additional devices.

# Power supply



Plug the power connector into the back of the fax machine.

Then plug the mains cable into the wall socket.

# Time and date

- 1 After you have connected the fax machine to the power supply, it will prompt you to enter the current time and date.
- 2 Use the dial pad to enter the correct time.
- 3 Enter the correct day, month and year. To conclude press **OK**.

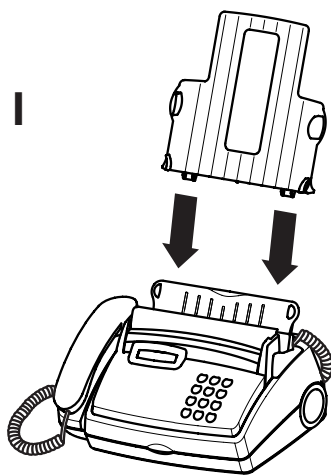


e. g. 0 9 1 5 for 9:15



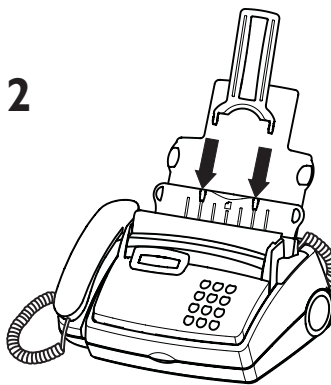
e. g. 1 5 0 5 0 2 **OK**  
for May 15th, 2002

# Loading paper



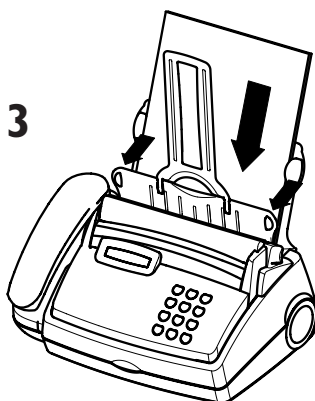
1

Insert the paper tray in the slots provided behind the paper feed mechanism.



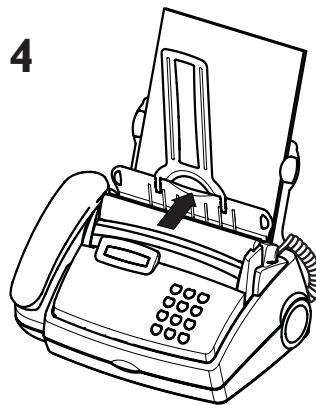
2

Stick the document support insertion in the openings provided on the paper feed flap.



3

Pull the paper feed flap forwards until it stops.  
Insert a maximum of 50 sheets of A4 paper (210 x 297mm 80 g/m<sup>2</sup>).



4

Close the paper feed flap.

# Starting up

To finish the installation process you have to go through some main settings (e.g. adaption of your fax to the telephone line). Using EASY INSTALL your fax machine will be configured according to your local conditions.

- 1 Press **HELP/INSTALL** for at least two seconds. Your fax machine will print one page with the header "EASY INSTALL".
- 2 Your fax machine will then guide you on the display through the first settings, such as your telephone number and your name.

# HELP pages

The different HELP pages are a sort of a "Quick Reference Guide", which describe the main features of your fax machine.

- 1 Press **HELP/INSTALL**.
- 2 Select the desired HELP page with ◀/▶.
- 3 Confirm with **OK**. The page will be printed out.

# Customer information

Should you require technical assistance while using your fax machine, please contact our Call Centre. To ensure that you receive the maximum service for your new purchase, and as part of your one-year guarantee, we can also offer you an on-site exchange service. Our Call Centre hours are shown below and the on-site exchange service is available Monday to Friday.

Call Centre hours: Monday to Friday: 8:30 a. m. – 6:00 p. m.  
Saturday: 9:00 a. m. – 6:00 p. m.  
Closed Sunday and National Holidays

Phone: 0870 900 90 70  
Fax: 020 8784 1406

e-mail: [fax.infoline@philips.com](mailto:fax.infoline@philips.com)  
Internet: [www.fax.philips.com](http://www.fax.philips.com)

Consumables, e.g. ink-films are available at your local retailer or can be ordered directly from Philips. To place an order or to obtain price information, please dial our Freephone number 0800 358 08 07.

We hope you enjoy using your new Philips fax machine!

With kind regards,

Your Philips Fax Team

Please be aware that your machine has been manufactured to comply with UK network specifications and can therefore only be used in the UK.