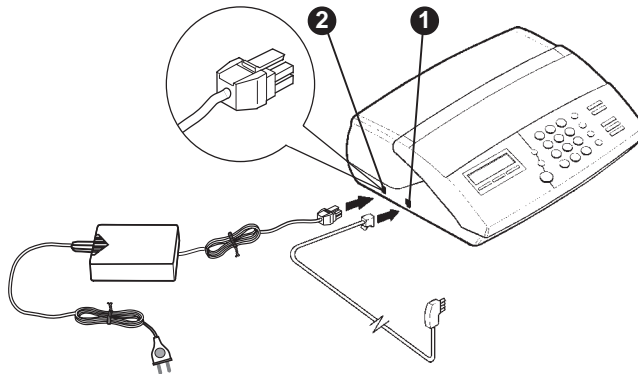




## INSTALLATION

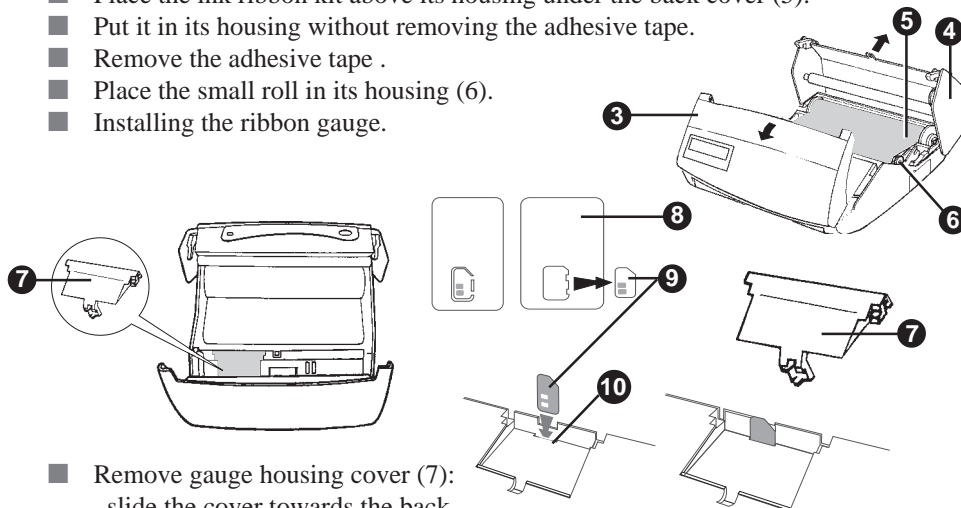
### CONNECTIONS

- Plug the telephone line cord to the connector (1) of the machine and connect the other end to the wall telephone socket.
- Plug the power supply unit to the connector (2) and the power cord into an A.C. outlet .



### INK RIBBON

- Open the front and the back cover (3, 4).
- Place the ink ribbon kit above its housing under the back cover (5).
- Put it in its housing without removing the adhesive tape.
- Remove the adhesive tape .
- Place the small roll in its housing (6).
- Installing the ribbon gauge.



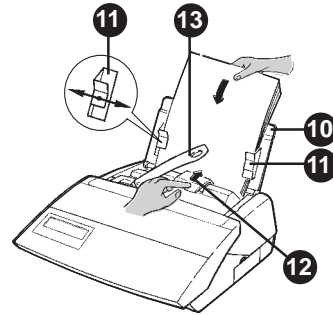
- Remove gauge housing cover (7):
  - . slide the cover towards the back,
  - . remove the gauge mini-card (9) from the support card (8).
- Insert the gauge (9) in the slot (10) of its housing with the chip facing you and the bevelled corner positioned on top right.
- Replace the gauge housing cover (9).
- Close the back cover (4), then the front cover (3).

KAPITEL 7-12



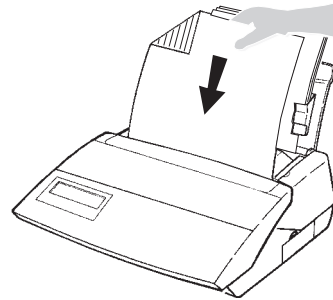
## PAPER

- Open the fax insert cover (10).
- Pull up the paper supporting bracket.
- Put the paper between the paper guides (11).
- Adjust the left paper guide to the paper width.
- Push forward the clamp (12) to insert the paper into the paper housing of the machine.
- Pull up the paper supporting bracket (13) to ease the collection of printed pages.



## FAX

- *Sending a fax*
  - Pull up the fax insert cover.
  - Pull up the document supporting bracket.
  - Insert the document in the document feeder.
  - Dial your number.
  - Press the START key.



- *Receiving a fax*
  - Leave always paper in the back paper tray in order to receive automatically faxes

## PERSONAL COPIER

- Make a local copy directly on plain paper
- Insert plain paper into the paper tray.
- Insert the document to be copied in the document feeder.
- Press the COPY key.

## PRINT YOUR FUNCTION LIST

- Insert paper in the paper tray.
- Press the FUNCTION key, then 5, then 1.
- Press the START key to confirm.



GERMAN	ENGLISH
ÄNDERN	MODIFY
ANSCHLUSSART	NETWORK TYPE
AUFTRAGE	COMMAND
AUFTRAGLISTE	PRINTING COMMAND LIST
AUSFÜHREN	PERFORM
AUSDRUCKE	PRINTOUT
RESTAFTIGEN	CONFIRM
CHIP WECHSELN	CHANGE CHIP
DATUM ENGEBEN	ENTER DATE
DATUM/ZEIT	DATE AND TIME
DOK ZUM ABRUF	DOCUMENT FOR POLLING
DOKUMENT BEREIT	DOCUMENT READY
DRUCKERDECKEL	PRINTER COVER
EINSTELLUNG	SETTING UP
EMPFAENGER	TRANSMISSION
EMPFANGABRUF	POLLING ACTIV
FARBAND PRUEFEN	CHECK RIBBON
HAUPTANSCHLUSS	PSTN
IM FEHLERFALL	IN CASE OF FAILURE
INSTALLATION	SETUP
IVV	PULSE DIALLING
JOURNALE	LOGS
KEINE CHIPKARTE	NO CHIP
KW-NR	MEMORY NUMBER
LAUTLOS	WITHOUT RING
LOESCHEN	DELETE
MELODIE	MELODY
MENUE	GUIDE
MEV	tone DIALLING
MIT	WITH
NAME	NAME
NAME ENGEREN	ENTER NAME
NAME/LOGO	NAME/LOGO
NEBENSTELLE	PABX
NUMMER	FAX NUMBER
NUMMER ENGEREN	ENTER NUMBER
OHNE	WITHOUT
PAPIER EINLEGEN	OUT OF PAPER
PAPIER SPAR	ECO PAPER
PAPIERSTAU	PAPER JAM
ROLLMESSER	RIBBON CAPACITY
RUFNUMMER	TRANSMISSION
RUFSIGNALE	NUMBER OF RINGS
SEITENANZAHL	NUMBER OF PAGES
SENDEBRUF	POLLING PASSIV
SENDEBRICHT	TRANSMISSION REPORT
SND	SEND
UEBERHEITZUNG	OVERHEATING
UHRZEIT ENGEBEN	ENTER TIME
VERZEICHNIS	DIRECTORY
WAHLVERFAHREN	DIALLING TYPE

FILE 23226952-7 B

KAPITEL 7-14

CHAP7

14

2/09/98, 12:40

B